



viewscope®

# SHUTTER REFERENCE GUIDE

<b>Material</b>	PVC
<b>Paint</b>	VOC Compliant
<b>Application</b>	Internal use only
<b>Stile</b>	Butt, Rabbet, D Mould. Co Extruded (Square Aluminium Insert)
<b>Louvres</b>	89mm, Co Extruded (Oval Aluminium Insert)
<b>Top and Bottom Rails</b>	Extruded PVC (Min Depth 80mm)
<b>Mid Rail</b>	76mm Extruded PVC
<b>Tilt Rod</b>	Metal Hidden Tilt Rod
<b>T Post</b>	Extruded PVC - Beaded
<b>Hinges</b>	76mm Non-Mortise , Snow White, Alabaster and Stainless Steel
<b>Frames - Beaded</b>	Large L Frame, Small L Frame, Z Frame, U Channels
<b>Colours</b>	Bright White, Snow White and Alabaster
<b>Mounting Methods</b>	Hinged / Fixed / Removable
<b>Corner and Bay Posts</b>	No
<b>Special Shapes</b>	No
<b>Wet areas</b>	Yes
<b>Sliding and Bi-Fold</b>	No
<b>Factory Deductions Reveal Fit (L-Frame)</b>	3.2mm from the Width and Height
<b>Factory Deductions Reveal Fit (Z Frame)</b>	6.0mm from the Width and Height
<b>Critical Midrail*</b>	± 19mm

## Shutter Dimensions

	Min. Width	Min. Drop	Max. Width	Max. Drop	Mid Rail Required
<b>Panels</b>	250mm	300mm	900mm	3000mm	>1500mm Height
<b>Frames</b>	300mm	400mm	3600mm	3050mm	

\*If more than one midrail is required then only one midrail can be classed as critical.



viewscope®

Viewscope Pty Ltd  
orders@viewscope.com.au  
www.viewscope.com.au

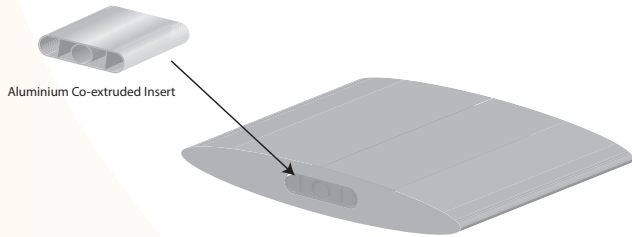
7/841 Mountain Highway Bayswater Vic 3153  
Ph: 03 9739 9900 Fax: 03 9720 7230



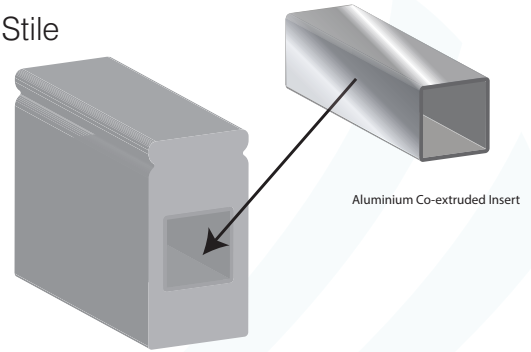
viewscope®

# SHUTTER REFERENCE GUIDE

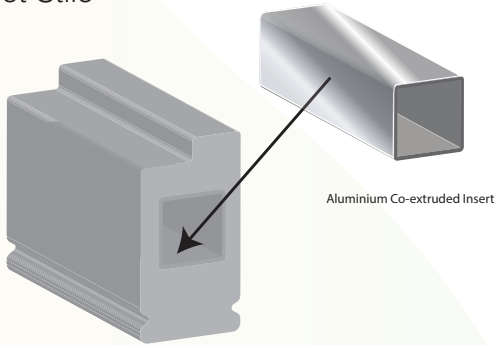
Louvre Profile



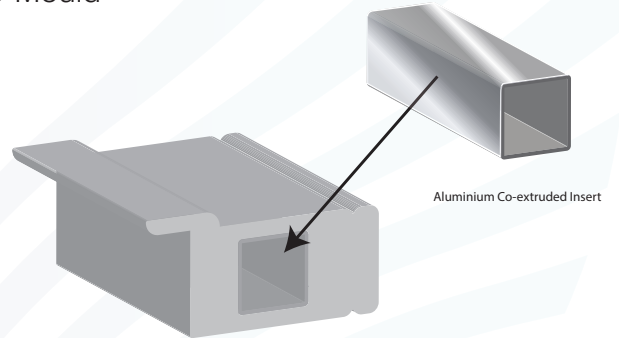
Butt Stile



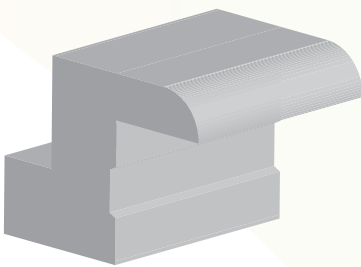
Rabbit Stile



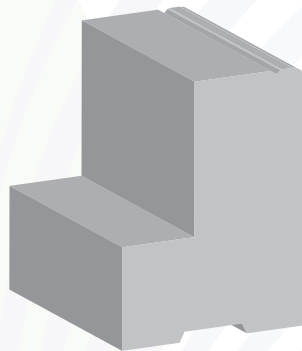
D Mould



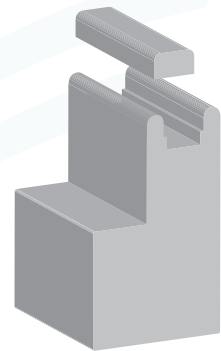
Z Frame



(Reveal) Small L Frame



(Face Fix) Large L Frame



T Post Profile

