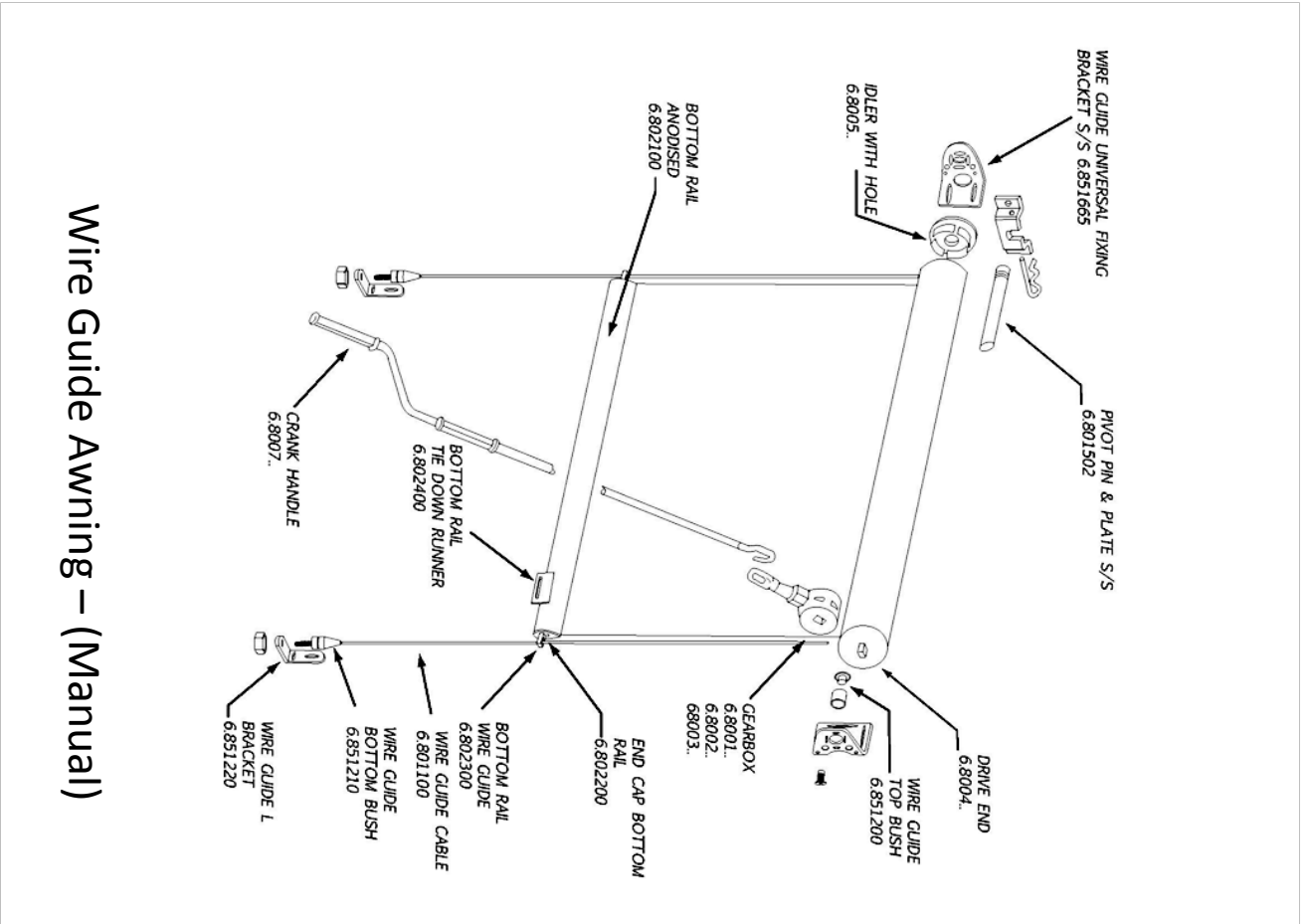
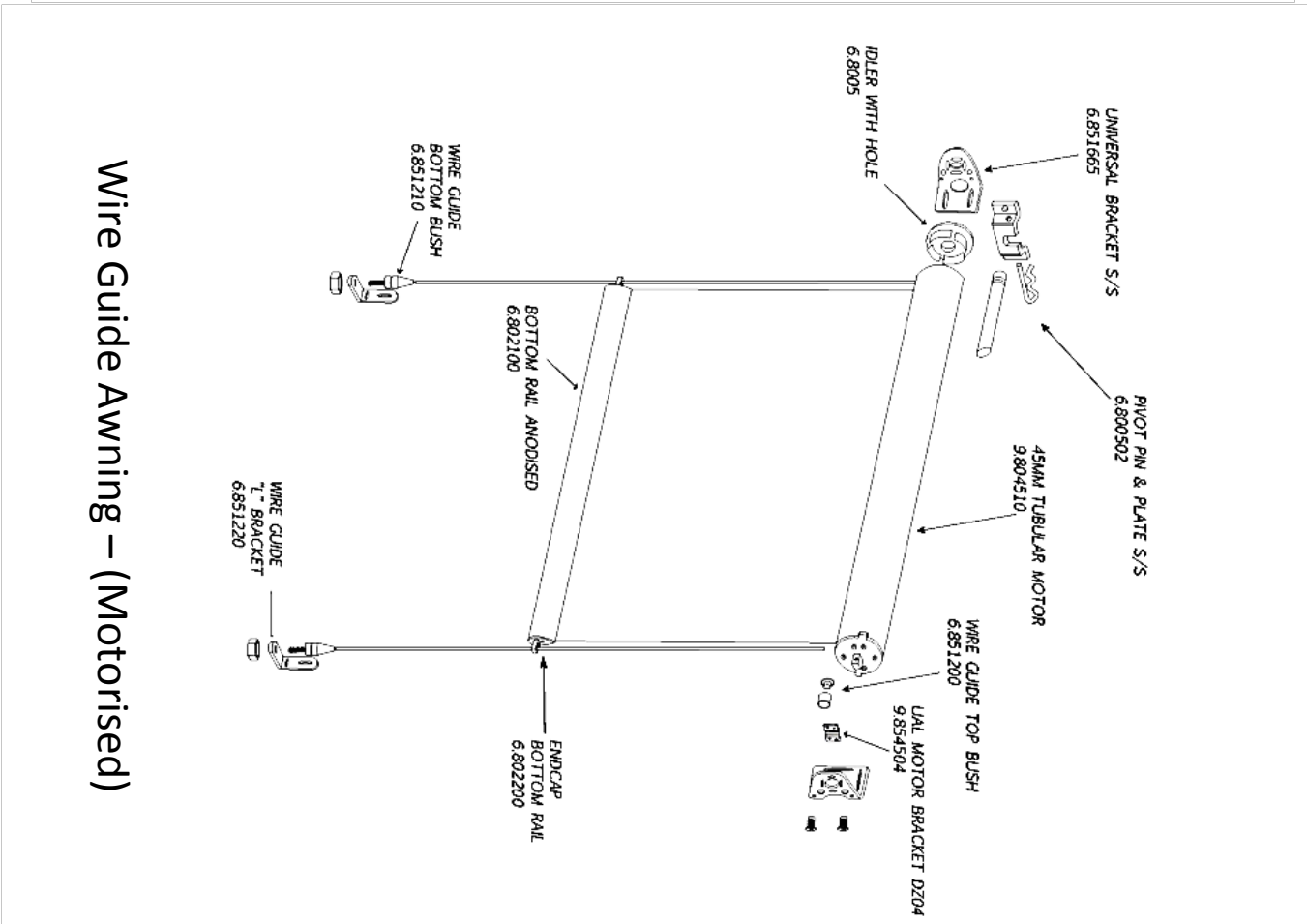


Wire Guide – Fitting Instructions



Wire Guide Awning – (Manual)



Wire Guide Awning – (Motorised)

Wire Guide – Fitting Instructions

Step 1) Install Top Fixing Brackets

The outside measurement from bracket to bracket is the Pin Measurement. It is the width of your blind. This size is printed on the label located on the plastic bag covering this blind. The brackets (control and idle ends) are not the same. Check them out before you install.

Ensure that the position where the fasteners through the brackets are secured into brick, or into the wall's structural support.

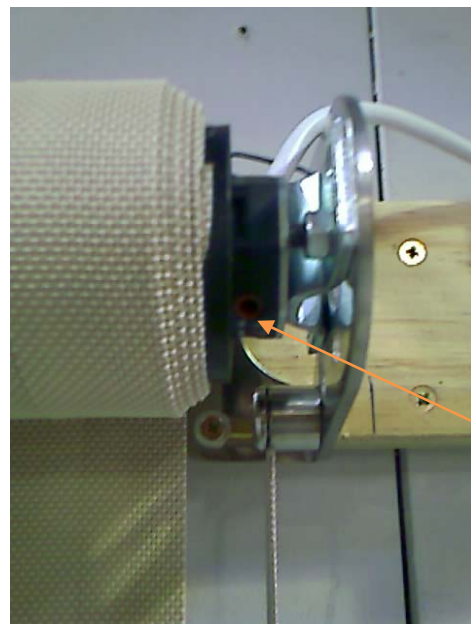
Note: Ensure that the brackets are fitted level horizontally.

Step 2) Hang the blind.

The motor end / crank end (square tube end) goes in first. If the blind is motorised, and it has manual limits adjustment, please ensure that the Allen key holes are facing downwards – makes it easier to adjust the limits.

Drop the other end onto the slotted part of the pin. Secure this end with the wire clip supplied.

Wire Clip



Allen key hole

Step 3) Install Bottom L Brackets / Deck plate or Masonry anchor.

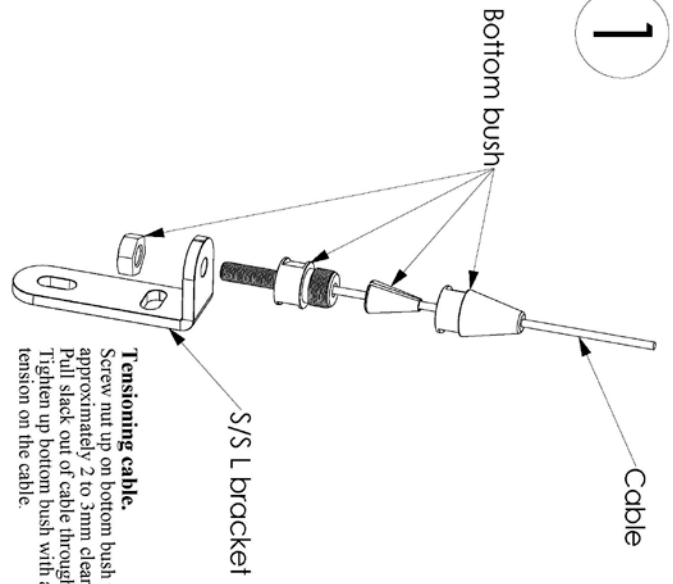
The stainless steel cable is 20 mm in from both ends, therefore the centre distance between the stainless steel cables is Pin measure less 40 mm.

For L brackets installation, ensure that there is a about 50 - 100 mm clearance from the bottom.

Note: Align the brackets so that the stainless steel cables hang vertically and are parallel to each other.

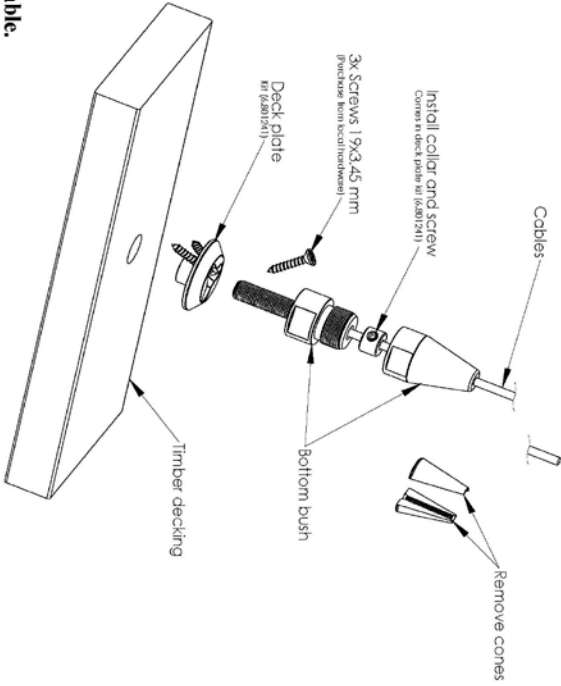
Wire Guide – Fitting Instructions

1



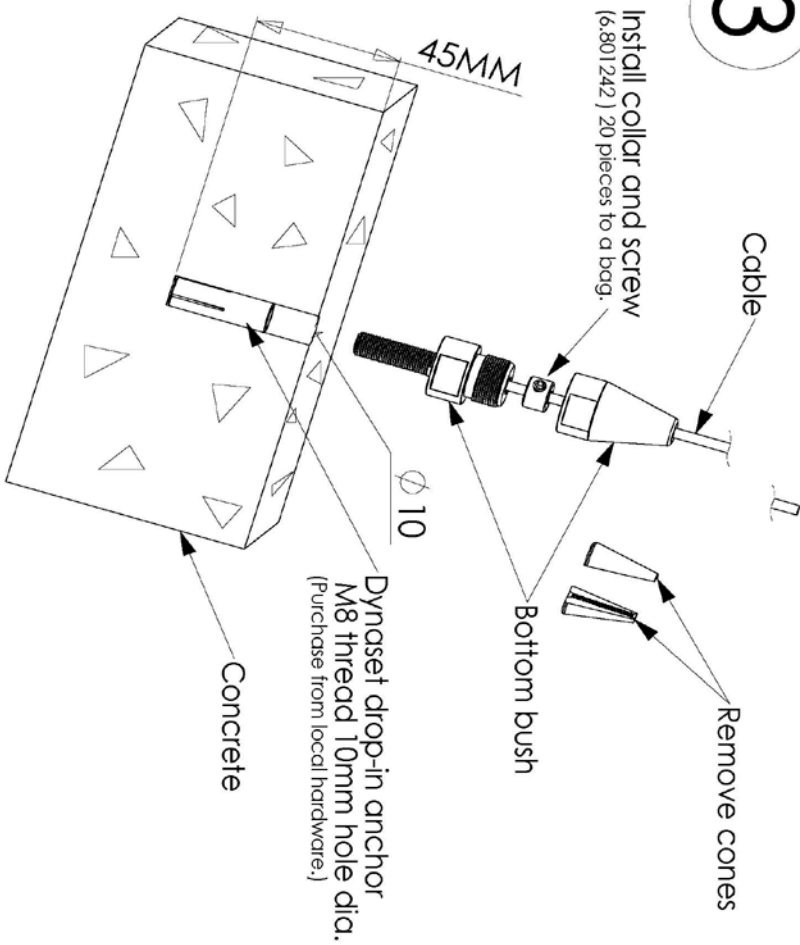
Tensioning cable.
Screw nut up on bottom bush till there is approximately 2 to 3mm clearance. Pull slack out of cable through the top bush then lock it up. Tighten up bottom bush with a spanner giving you firm tension on the cable.

2



Tensioning cable.
Screw bottom bush into deck plate until there is approximately 2 to 3mm clearance. Pull slack out of cable through the top bush then lock it up. Tighten up bottom bush with a spanner giving you firm tension on the cable.

3



Tensioning cable.
Screw bottom bush into concrete until there is approximately 2 to 3mm clearance. Pull slack out of cable through the top bush then lock it up. Tighten up bottom bush with a spanner giving you firm tension on the cable.

Wire Guide – Fitting Instructions

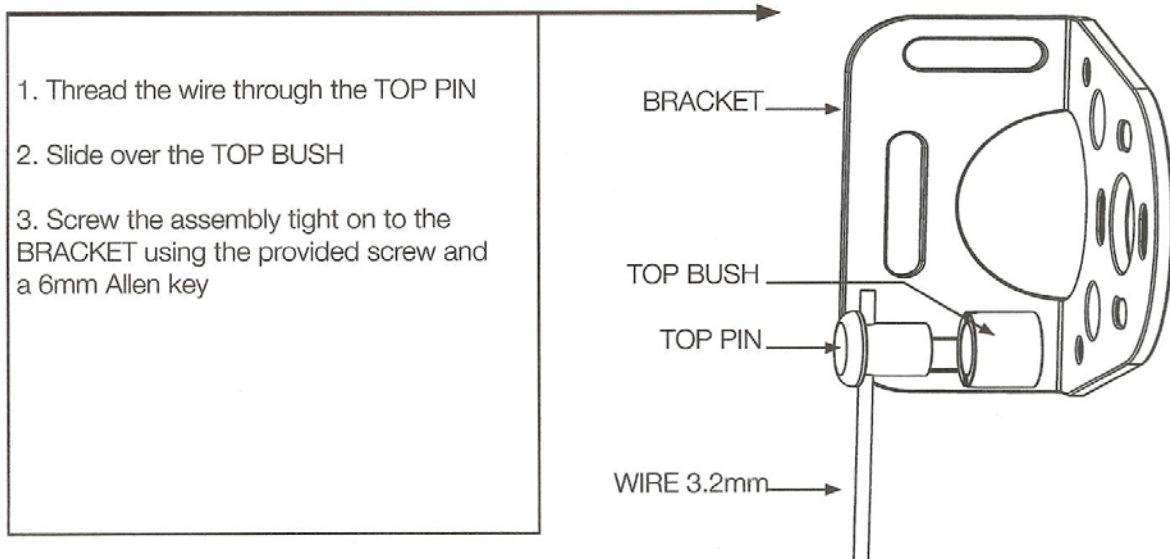
Step 4) Fit the stainless steel cable.

The stainless steel cable is supplied longer than required to ensure adequate coverage. One of the better ways of cutting the cable is using a grinder with a thin cutting disc. Wrap the area with some electrical tape before cutting. This will help prevent cable fraying. Slice the cable at an angle – this gives the cable a leading edge.

Determine the length of the cable. a) Attach the wire bottom bush to the cable. b) Attach the wire guide bush the L bracket / deck plate / masonry anchor – leave about 3-4 mm thread before fully tight. c) Thread the cable through the bottom rail end cap guide and pull up to the side of the wire guide top bush. Mark the spot about 10 mm above the bush and cut the wire as per above.

Loosen the wire guide top bush with a no. 6 metric Allen key. Thread the cable through the 2 holes of the top bush. Tighten the top bush. Tension the cable by tightening the 3-4 mm thread at the bottom bush.

TOP BUSH



Step 5) Install the breeching staples.

The bottom rail tie down runner can be slide along the bottom rail. This allows convenient positioning for the breeching staples.

Caution: Like all out door blinds, it is prudent to retract the blind in the presence of strong winds.