

DOCUMENT	Timberstyle Venetian Blinds MS	Issue Date:	Apr 2022	Page No:	1 of 19
DOC No:	MS T 3.12	Dept:	TIMBERS	Review Date:	May 2023
				Issue No:	12



Production Specification

MS T 3.1 Timberstyle Venetian Blind

Orig. Issue Date:	10-May-05	Reviewer:	Mark Khong
--------------------------	-----------	------------------	------------

Location	Computer File:	<u>\\Common\contract\AA-PRODUCTS\TIMBERS \Product Specification - MS T 3.12 Timberstyle Venetian Blind</u>
	Hard Copies:	<ul style="list-style-type: none"> ▪ Production Office (Master Copy) ▪ Timbers Work Area File

Document Revisions—		
Date	Description of change	Originated by—
10-May-05	Create Specification	Naomi McCombe
31 Aug 09	Updated	Mark Khong
26 April 13	Ammended allowance for butt	Rex McGrath
October 13	Updated colour matching chart to include Ghostgum	Mark Khong
March 2015	Include new 63mm slats & 90mm Fascias	Mark Khong
April 2015	Added: min for all fascia returns = 25mm, and removed ambiguity in some sections	Mark Khong
August 2015	Clarifyng Fascia Cutting Chart for Bay Window	Mark Khong
November 2017	Removed plastic Hold down clips.	Krishna
June 2018	Replaced Spring brackets for 63mm slat Face fit with Box brackets and spacer	Krishna
Nov 2018	Added maximum cut-out for slats/bottom rail & Head-rail	Krishna
Jul 2020	Removed 63mm scroll fascia for Woodlook	Krishna

Approval—			
Stakeholder	Position	Signature	Date
Alex Lee	Production Manager		
Andrew Rundle	Marketing Manager		

DOCUMENT	Timberstyle Venetian Blinds MS		Issue Date:	Apr 2022	Page No:	2 of 19	
DOC No:	MS T 3.12	Dept:	TIMBERS	Review Date:	May 2023	Issue No:	12

Document Revisions—		
Date	Description of change	Originated by—
Apr 2022	Timberstyle material from HD – 10% lighter	MKhong

Approval—			
Stakeholder	Position	Signature	Date
Alex Lee	Production Manager		
Andrew Rundle	Marketing Manager		

DOCUMENT	Timberstyle Venetian Blinds MS	Issue Date:	Apr 2022	Page No:	3 of 19
DOC No:	MS T 3.12	Dept:	TIMBERS	Review Date:	May 2023
				Issue No:	12

PRODUCT SPECIFICATION



Product Name

Timberstyle Venetian Blinds

1. Scope

This specification covers the production of Timberstyle Venetian Blinds.

2. General Specifications

BLIND DIMENSIONS	Min Width	Min Drop	Max Width	Max Drop	Max Area
Standard control	479	200	2700	3000	4.6 m ²
Split Control	250 – 478				
Centre Tilt only	220 – 249				

NOTES—

- Where blinds are **ordered outside this range**, customers must be referred to the Production Department. Blinds ordered that are outside this range should not be made without authorisation.

		Tolerance
Blind Width	<ul style="list-style-type: none"> • As per Work Order 	± 2 mm
Blind Drop	<ul style="list-style-type: none"> • As per Work Order • Must be even across the Blind Width 	± 2 mm

CONTROLS—

Position	<ul style="list-style-type: none"> • Controls must be on the correct side—as per Work Order
Cordlock	<ul style="list-style-type: none"> • A Cordlock must be installed in each Blind

SLATS & BOTTOM RAIL

Type	<ul style="list-style-type: none"> • 50mm & 63mm Timberstyle Slats • Plain or Textured—as per Work Order • Must be the correct colour & type—as per Work Order
Appearance	<ul style="list-style-type: none"> • Slats & Bottom Rail must not have any obvious flaws, marks or scratches
Bowing	<ul style="list-style-type: none"> • Slats & Bottom Rail must be checked in the UP / DOWN as well as the IN / OUT direction • All Slats & Bottom Rail must be tested on the Bowing Bench—all must fall within the Visual Standard
Number of Slats	<ul style="list-style-type: none"> • Depends on the Blind Drop • See Appendix 1 for Slat Quantity Chart
Cutting	<ul style="list-style-type: none"> • Length = Blind Width • For Hold-down Clip—length of bottom Slat & Bottom Rail must be cut down = Blind Width – 20mm** • Tolerance: ± 2mm

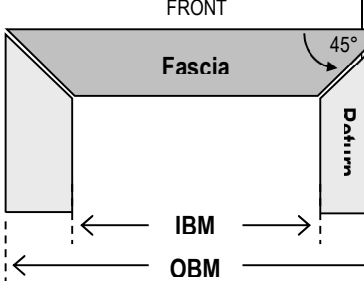
DOCUMENT	Timberstyle Venetian Blinds MS		Issue Date:	Apr 2022	Page No:	4 of 19
DOC No:	MS T 3.12	Dept:	TIMBERS	Review Date:	May 2023	Issue No: 12

**SLATS &
BOTTOM RAIL**
(CONT'D)

Finishing	<ul style="list-style-type: none"> Buttons must fit securely into the button holes—not loose Warning Sticker to be attached onto the middle of the Bottom Rail (front side)
Hold-down Clips (where requested)	<ul style="list-style-type: none"> Bottom Slat & Bottom Rail will be cut 10mm shorter on each end to allow for Hold-down Clips Silver Hold down clips are supplied as standard when requested. Gold Hold down clips are optional. Hold-down Pin to be drilled in centre of each end of Bottom Rail .

****extra to be cut off only after Punching—10mm from each end**

FASCIA—

Type	<ul style="list-style-type: none"> Must be correct colour & style—as per Work Order Height = 83mm 		
NORMAL FASCIA Cutting Length	Returns	Fascia Length	Tolerance
	No Returns	Blind Width + 7mm = <i>Actual Size</i>	± 2mm
	Both Ends	Blind Width +25mm = <i>OBM</i>	
	One End only	Blind Width + 13mm = <i>OBM</i>	
<ul style="list-style-type: none"> Use standard size unless otherwise noted on Work Order Fascia ends must be cut straight where there is no Return Each Return end of the Fascia must be cut at 45° (as shown) 			
			
IBM Measure	<ul style="list-style-type: none"> SOE personnel must calculate the required Fascia Length & put it on the Work Order 		
Corner or Bay Windows	<ul style="list-style-type: none"> SOE personnel must calculate the required Fascia Lengths & record them on a Fascia Chart See Appendix 3 for the Fascia Cutting Chart template The completed Fascia Chart must be attached to the Red Copy of the Work Order Fascia must be cut to match this Fascia Cutting Chart 		
COMMON FASCIA Cutting Length	<ul style="list-style-type: none"> Common Fascia calculations (as below) to be done by SOE personnel & included on the Work Order 		
	Type	Cutting Length	Tolerance
	RECESS	<ul style="list-style-type: none"> (Add up all NAM widths) – 3mm OR (Add up all ACT widths) + (10mm for each Blind) – 3mm 	± 2mm
FACE	<ul style="list-style-type: none"> (Add up all NAM widths) + 25mm 		

DOCUMENT	Timberstyle Venetian Blinds MS		Issue Date:	Apr 2022	Page No:	5 of 19	
DOC No:	MS T 3.12	Dept:	TIMBERS	Review Date:	May 2023	Issue No:	12

FASCIA (CONT'D)

		OR																
		<ul style="list-style-type: none"> (Add up all ACT widths) + (5mm for each Outside Blind) + (10mm for each Central Blind) + 25mm 																
		<table border="1" style="width: 100%; text-align: center;"> <tr> <td>Outside Blind</td> <td>Central Blind</td> <td>Outside Blind</td> </tr> </table>	Outside Blind	Central Blind	Outside Blind													
Outside Blind	Central Blind	Outside Blind																
Appearance		<ul style="list-style-type: none"> Fascia & Returns must not have any obvious flaws, marks or scratches Scroll must face the front 																
Bowing		<ul style="list-style-type: none"> Fascia must be checked in the UP / DOWN direction All Fascia must be tested on the Bowing Bench—all must fall within the Visual Standard 																
Returns		<ul style="list-style-type: none"> Number—as per Work Order Must be firmly attached to the Fascia: <ul style="list-style-type: none"> must not be loose must be a smooth & even join with the Fascia, no gaps Fascia Clips with 'wings' to be firmly attached to Fascia 																
Return Size		<ul style="list-style-type: none"> Standard Return Length: <table border="1" style="margin-left: 20px;"> <tr> <td style="text-align: center;">Slat size</td> <td style="text-align: center;">50mm</td> <td style="text-align: center;">63mm</td> </tr> <tr> <td style="text-align: center;">Fascia Size</td> <td style="text-align: center;">83mm</td> <td style="text-align: center;">83mm</td> </tr> <tr> <td></td> <td colspan="2" style="text-align: center;">Return Length</td> </tr> <tr> <td style="text-align: center;">IBM</td> <td style="text-align: center;">65</td> <td style="text-align: center;">75</td> </tr> <tr> <td style="text-align: center;">OBM</td> <td style="text-align: center;">75</td> <td style="text-align: center;">85</td> </tr> </table> <div style="margin-left: 20px;"> <p style="text-align: center;">FRONT</p> <p style="text-align: center;">Fascia</p> <p style="text-align: right;">45°</p> </div> <ul style="list-style-type: none"> Minimum return size is 25 mm Use standard size unless otherwise noted on Work Order 	Slat size	50mm	63mm	Fascia Size	83mm	83mm		Return Length		IBM	65	75	OBM	75	85	
Slat size	50mm	63mm																
Fascia Size	83mm	83mm																
	Return Length																	
IBM	65	75																
OBM	75	85																
Return Cutting		<ul style="list-style-type: none"> The non-Fascia end must be cut straight Each Fascia end of the Return must be cut at 45° 																

HEAD RAIL & TILT ROD

H.Rail Colour	<ul style="list-style-type: none"> As per Work Order & Appendix 2
Appearance	<ul style="list-style-type: none"> Rail must not have any obvious flaws, marks or scratches
Cut Length Setting	<ul style="list-style-type: none"> Set Tilt Rod Guide: <ul style="list-style-type: none"> at 75mm if Blind Width ≤ 480mm at 100mm if Blind Width > 480mm Set Control Panel to Blind Width for cutting
Actual Cut Length	<p>Head Rail—</p> <ul style="list-style-type: none"> HEAD RAIL Length = Blind width – 6mm Tolerance: + 0mm; – 4mm <p>Tilt Rod—</p> <ul style="list-style-type: none"> TILT ROD Length: <ul style="list-style-type: none"> For Blinds ≤ 480mm: Blind width – 75mm For Blinds > 480mm: Blind width – 100mm Tolerance: ± 2mm

HEAD RAIL & TILT ROD (CONT'D)

DOCUMENT	Timberstyle Venetian Blinds MS		Issue Date:	Apr 2022	Page No:	6 of 19	
DOC No:	MS T 3.12	Dept:	TIMBERS	Review Date:	May 2023	Issue No:	12

Hole positions	<ul style="list-style-type: none"> Middle of the first hole must be (End Route – 5) ± 2mm from the RH end of Head Rail Middle of all other holes must be in correct position (as per Control Panel or Ladder Tape charts)—tolerance: ± 1mm
-----------------------	----------------------------------------------------------------------------------------------------------------------------------------------------------------------------------------------------------------------------------------------------------------------------------

LADDER TAPE

Type	<ul style="list-style-type: none"> 50mm and 63mm Timberstyle 		
Colour	<ul style="list-style-type: none"> To match Slat Colour—as per Work Order & Appendix 2 		
Number	Blind Width (mm)	End Route (mm)	No. Ladder Tapes
	0—380	80	2
	382—480	110	2
	482—700	150	2
	702—1100	150	3
	1102—1500	150	4
	1502—1900	150	5
	1902—2300	150	6
	2302—2700	150	7
Length	<ul style="list-style-type: none"> Ladder Length = Blind Drop + 300mm Tolerance: ± 2mm 		
Appearance	<ul style="list-style-type: none"> U-clips to be securely crimped onto each side of the top end Position of 2 U-Clips of each side of the Ladder Tapes must be exactly matched—this is CRITICAL for even hang Ladder Tapes must not be tangled or twisted Must be no excess Ladder Tape visible at bottom of Blind Ladder Tape ends must be held securely in the Bottom Rail—with no slippage 		

TILTER CORD

Colour	<ul style="list-style-type: none"> To match Slat Colour—as per Appendix 2 		
Cut Length	Blind Width (mm)	Tilter Cord Cut Length	Tolerance
	0—1000mm	1000mm	± 2mm
	> 1000mm	Blind Width + 1000mm	
	<ul style="list-style-type: none"> Use standard length, unless otherwise stated on the Order 		
Assembly	<ul style="list-style-type: none"> Tilter Cord must be wrapped around the Tilter 5 times each way—with no overlap End of Tilter Cord to be burnt to stop fraying Individual Warning Tag to be placed on Tilter Cord 		
Acorn	<ul style="list-style-type: none"> Colour to match Slat Colour—as per Work Order & Appendix 2 		
Finished Length	Blind Drop (50mm slats)	Position—when Blind is open (Tilter & Lift Cords)	
	< 700mm	640mm from the top of Head Rail	
	700—1350mm	Level with 5 th Slat from the bottom	
	1351—1500m	Level with 8 th Slat from the bottom	

DOCUMENT	Timberstyle Venetian Blinds MS		Issue Date:	Apr 2022	Page No:	7 of 19	
DOC No:	MS T 3.12	Dept:	TIMBERS	Review Date:	May 2023	Issue No:	12

TILTER CORD
(CONT'D)

1501—1800mm	Level with 12 th Slat from the bottom
1801—2000mm	Level with 14 th Slat from the bottom
2001—2200mm	Level with 16 th Slat from the bottom
2201—2400mm	Level with 18 th Slat from the bottom
2401—2600mm	Level with 20 th Slat from the bottom
Use standard length unless otherwise stated on Work Order	
Blind Drop (63mm slats)	Position—when Blind is open (Tilter & Lift Cords)
< 700mm	640mm from the top of Head Rail
700—1350mm	Level with 4 th Slat from the bottom
1351—1500m	Level with 6 th Slat from the bottom
1501—1800mm	Level with 9 th Slat from the bottom
1801—2000mm	Level with 11 th Slat from the bottom
2001—2200mm	Level with 13 th Slat from the bottom
2201—2400mm	Level with 14 th Slat from the bottom
2401—2600mm	Level with 15 th Slat from the bottom
<ul style="list-style-type: none"> Use standard length unless otherwise stated on Work Order 	

LIFT CORD—

Colour	<ul style="list-style-type: none"> To match Slat Colour—as per Appendix 2 				
Number	Blind Width (mm)	End Route (mm)	No. Ladder Tapes	No. Lift Cords	Cords cut
	0—380	80	2	2	1
	382—480	110	2	2	1
	482—700	150	2	2	1
	702—1100	150	3	2	1
	1102—1500	150	4	4	2
	1502—1900	150	5	3	2
	1902—2300	150	6	4	2
	2302—2700	150	7	4	2
Cut Length	Configuration	Cord Cut Length (mm)			
	2 Tapes + 1 Cord	<ul style="list-style-type: none"> (4 x Drop*) + Blind Width 			
	3 Tapes + 1 Cord	<ul style="list-style-type: none"> (4 x Drop*) + Blind Width 			
	4 Tapes + 2 Cords	<ul style="list-style-type: none"> Both—(4 x Drop*) + Blind Width 			
	5 Tapes + 2 Cords	<ul style="list-style-type: none"> 1st Cord—(2 x Drop*) + ½ Blind Width 2nd Cord—(4 x Drop*) + Blind Width 			

DOCUMENT	Timberstyle Venetian Blinds MS		Issue Date:	Apr 2022	Page No:	8 of 19
DOC No:	MS T 3.12	Dept:	TIMBERS	Review Date:	May 2023	Issue No: 12

	6 Tapes + 2 Cords	<ul style="list-style-type: none"> • Both— (4 x Drop*) + Blind Width
	7 Tapes + 2 Cords	<ul style="list-style-type: none"> • Both— (4 x Drop*) + Blind Width
	<ul style="list-style-type: none"> • NOTE ~ Drop* = Blind Drop + 100mm • Tolerance: ± 2mm 	
	<ul style="list-style-type: none"> • Use standard length, unless otherwise stated on the Order 	
Finishing	<ul style="list-style-type: none"> • All Cord ends must be burnt to minimise fraying • Lift Cord must not be twisted around the Ladder Tape • Lift Cords must thread through the Head Rail as Appendix 4 • Cord release Warning Tag to be placed on the Lift Cords 	
Break-Apart Tassel	<ul style="list-style-type: none"> • Colour to match Slat Colour—as per Work Order & Appendix 2 	
Finished Length	<ul style="list-style-type: none"> • As per Tilter Cord Chart 	

FINISHING

Construction	<ul style="list-style-type: none"> • Ladder Tapes are supported by Ladder Drums sitting in the Head Rail • Tilter & Lift Cords must be threaded properly through the Head Rail & Punch Holes • There must be a Slat on every rung of the Ladder Tape—top 2 Slats must be ladder-locked • Lift Cords run through the middle of selected Ladder Tapes • Ends of Lift Cords & Ladder Tapes are secured in the Bottom Rail
Function	<ul style="list-style-type: none"> • Slats must open & close smoothly • When Slats are closed, the gap between the top Slat & the Head Rail must be small (< 5mm) and even • Blind must pull up straight when all cords are pulled evenly • Blind must hang evenly • The Cordlock must lock the Blind into position

COMPONENTS INCLUDED

	Blind Width	No. of Fascia Clips
Fascia Clips (also known as Valance Brackets)	0—600mm	2
	601—1000mm	2
	1001—2000mm	3
	>2000mm	4
Brackets	<ul style="list-style-type: none"> • 1 pair of End Brackets (50mm slats & 63mm slats in Recessed Fit) - of the correct colour • For 63mm slats in Face Fit, add bracket spacers – 1 pair for End brackets and 1 for each Support brackets. 	
	Blind Width	No. of Support Brackets
Support (Intermediate) Brackets used with blinds that	0—1499mm	0
	1500—1999mm	1
	2000—2999mm	2

DOCUMENT	Timberstyle Venetian Blinds MS		Issue Date:	Apr 2022	Page No:	9 of 19	
DOC No:	MS T 3.12	Dept:	TIMBERS	Review Date:	May 2023	Issue No:	12

	have End Brackets	> 3000mm	3
	Cleat	<ul style="list-style-type: none"> 1 plastic Cleat with Warning Tag attached 	
	Joiner Screw	<ul style="list-style-type: none"> If Fascia > 2.7m wide—include 1 Joiner Screw <i>**NOTE—make sure Joiner is attached to one part of the Fascia with another screw....otherwise include a Joiner & another screw as well**</i> 	
	Hold-Down Brackets	<ul style="list-style-type: none"> 1 pair—only if ordered 	
	Remote Control	<ul style="list-style-type: none"> Only where optional Remote Tilt Control is fitted 	
Each Blind Pack must include:		<ul style="list-style-type: none"> 1 Blind 1 Fascia—<i>any Common Fascia is to be packed separately</i> Returns, where fitted Components as noted above 	

3. Options

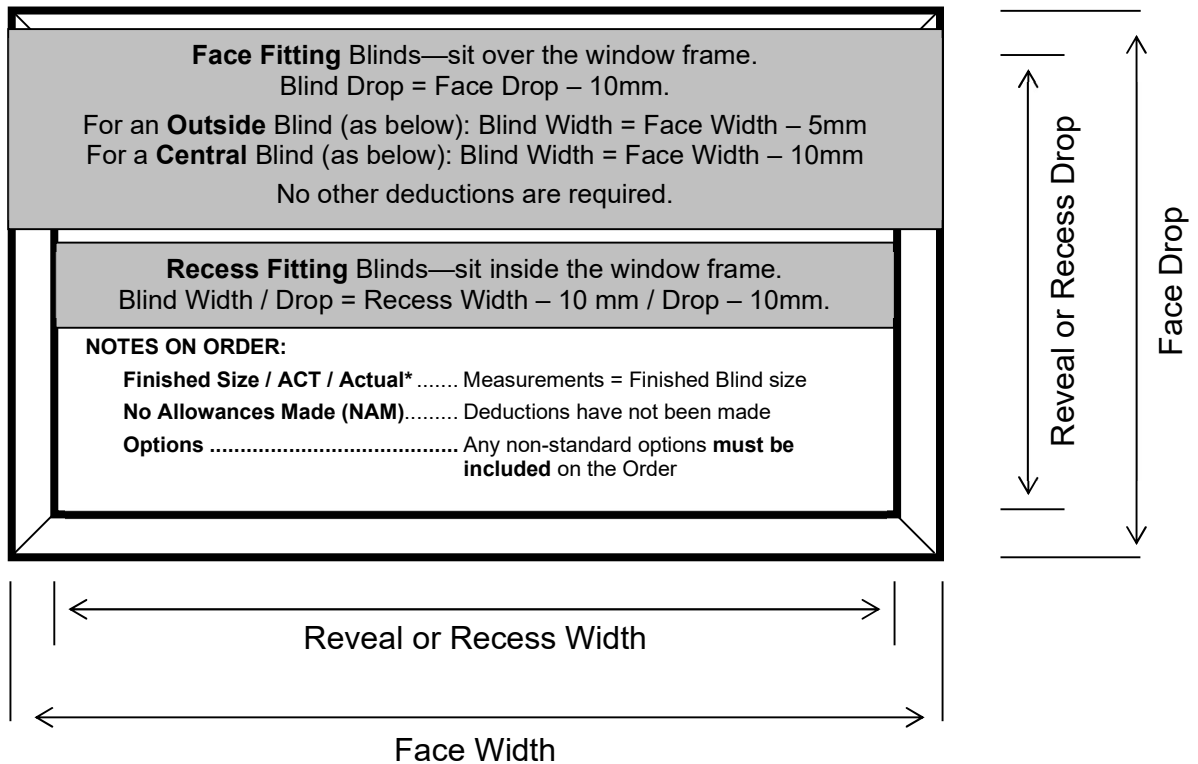
	Standard	Available Options
Slat width	50mm and 63mm	No other options
Lift Control	Cord	No other options
Tilt Control	Cord	Motorised (Remote Control)
Cordlock	Installed	No other option
Tilter Cord Acorns	Plastic	No other options
Lift Cord Tassel	Break-Away Plastic	No other options
Fascia Style	Scrolled for 83mm	No Fascia
No. of Returns	Must be specified	2; 1; No Returns
Return Size	OBM: 75 & 85mm for 50mm and 63mm slats respectively	As requested
Fascia Type	Single—one for each individual Blind	Common—for multiple Blinds
Control side	Must specify	Right or Left
Head Rail size	55mm	No other options
Hold-down Clips	None	Installed – Silver or Gold

Slat type & colour	<ul style="list-style-type: none"> As per the Work Order 	
Colour of components—Head Rail; Ladder Tape; Cord; Button; Tassel & Acorn	<ul style="list-style-type: none"> As per Appendix 2 	As requested

NOTE—Options should only be used if they are noted on the Work Order. Otherwise STANDARD fittings must be used.
OTHER NOTE: Colour may vary from dye lots to dye lot.

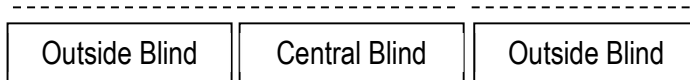
DOCUMENT	Timberstyle Venetian Blinds MS		Issue Date:	Apr 2022	Page No:	10 of 19	
DOC No:	MS T 3.12	Dept:	TIMBERS	Review Date:	May 2023	Issue No:	12

4. Standard Measurement Terminology



NOTES ~

* If there is no indication on the Order, it will be assumed that the measurements given are Finished Sizes.

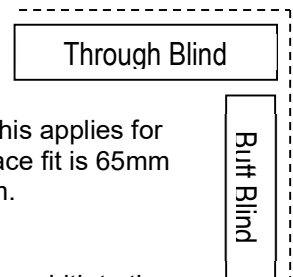


TERMS ~

Outside Blind.....Where a Blind butts against one other Blind

Central Blind.....Where a Blind butts up against 2 other Blinds

Butt Blinds: The ‘Through’ blind is the one that covers the whole window. The ‘Butt’ blind is the blind that has to be cut back to allow space the ‘Through’ blind has taken.



Measure both blinds at full width at the point where the blind is to be installed. This applies for deep recesses. The allowance for the cut back of the butt blind on a recess or face fit is 65mm for a 50mm slat blind. For a 63mm slat blind in a Face Fit the deduction is 75mm.

Note: The above deductions do not include Fascia.

For blinds that are to be fitted to the front of the recess, it is easier to measure the width to the corner and add on for the Through Blind.

Bay Windows: Measurements for normal 3-Bay windows (135° - 135°)

Recessed fit – Measure the width and drop of the recess windows at the front of the recess - NEVER at the back near the glass. The blind size = NAM (recess measurement) less 10mm. The blinds will be fitted flush to the front edge of recess.

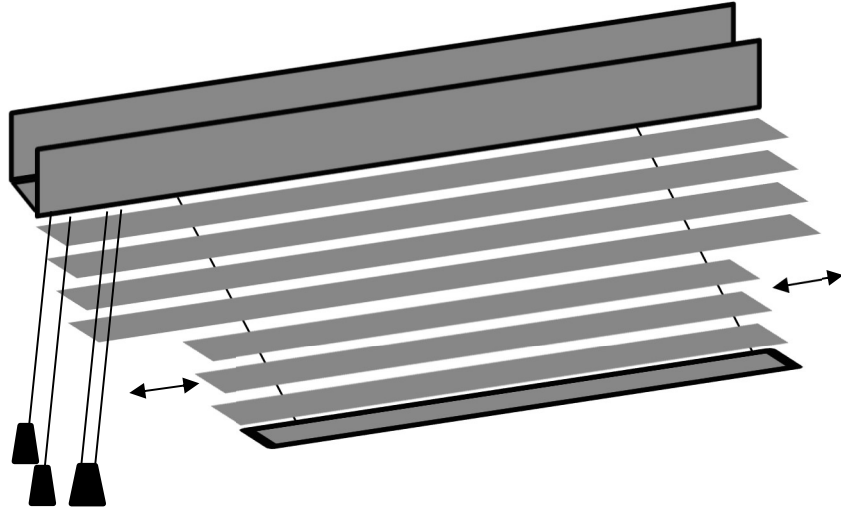
Face Fit – Measure the full length of the top architrave: the 3 sections. The deductions are as follows:
 For 50mm slats: 25mm off the 2 side blinds and 45mm off the centre blind.
 For 63mm slats: 28mm off the 2 side blinds and 56mm off the centre blind.

DOCUMENT	Timberstyle Venetian Blinds MS		Issue Date:	Apr 2022	Page No:	11 of 19	
DOC No:	MS T 3.12	Dept:	TIMBERS	Review Date:	May 2023	Issue No:	12

Cut outs:

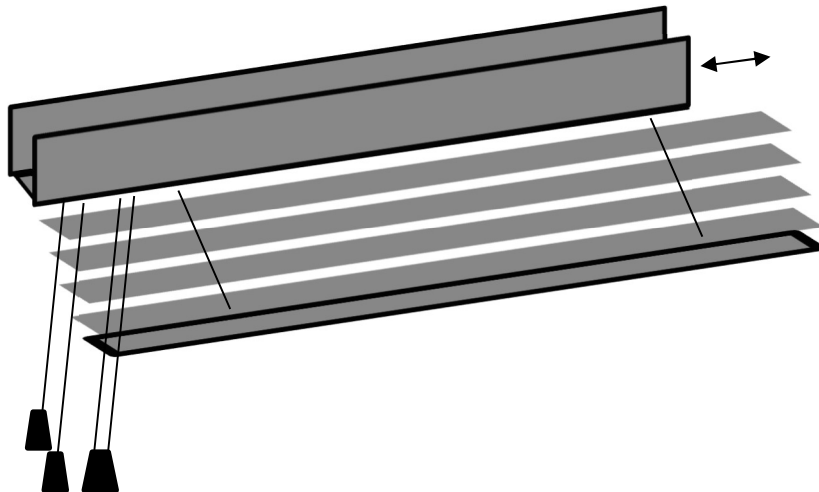
Maximum cut-outs for both 50mm & 63mm slats.

Blind Width (mm)	0 – 380	382 – 480	482 & above
Maximum Cut-out (mm) each side	40	70	110



Maximum cut-outs for Head-rail:

Blind Width (mm)	382 – 480	482 & above
Maximum Cut-out (mm) non-control end only	70	110



DOCUMENT	Timberstyle Venetian Blinds MS		Issue Date:	Apr 2022	Page No:	12 of 19	
DOC No:	MS T 3.12	Dept:	TIMBERS	Review Date:	May 2023	Issue No:	12

TIPS:

- When measuring for face fit installation always measure for the width at the fixing height..
- When measuring in a recess be sure to measure the opening at the top, centre and bottom and take the smallest measurement as the width. This will ensure that the blind will fit within the recess and not rub on the sides and effect the operation of the blind.
- Before completing the Order, make sure there are no obstructions that could interfere with fitting the Blind
- Always use a reliable metal tape measure

5. Packaging & Labelling

- Each Fascia will be individually packed in a polythene bag
- Cleat Warning Tag is placed between the Cordlock & the first Slat to protect the Slat during transport
- Components are packed carefully in the Head Rail
- Blind, Fascia & Components are wrapped in bubble-wrap

The following additional packaging applies to delivery by external Courier only:

- A maximum of 2 Blind packs are packaged together in a triangular cardboard box—cut to accommodate the Blind width.
- Blind packs will be taped together—not too tightly—to minimise movement during transport.
- Packages may contain scrap packaging materials, such as bubble wrap and cardboard that is used to stop movement of Blinds within the package during transport.
- Each cardboard package will be labelled with the Customer's name & the Customer Order Number.

DOCUMENT	Timberstyle Venetian Blinds MS		Issue Date:	Apr 2022	Page No:	13 of 19	
DOC No:	MS T 3.12	Dept:	TIMBERS	Review Date:	May 2023	Issue No:	12

Appendix 1

SLAT QUANTITY CHART ~ Timberstyle 50mm

Blind Drop	No. of Slats	Blind Drop	No. of Slats	Blind Drop	No. of Slats	Blind Drop	No. of Slats
600	13	1275	29	1950	45	2625	61
625	13	1300	30	1975	46	2650	62
650	14	1325	30	2000	46	2675	62
675	15	1350	31	2025	47	2700	63
700	15	1375	31	2050	47	2725	63
725	16	1400	32	2075	48	2750	64
750	16	1425	33	2100	49	2775	65
775	17	1450	33	2125	49	2800	65
800	18	1475	34	2150	50	2825	66
825	18	1500	34	2175	50	2850	66
850	19	1525	35	2200	51	2875	67
875	19	1550	36	2225	52	2900	68
900	20	1575	36	2250	52	2925	68
925	21	1600	37	2275	53	2950	69
950	21	1625	37	2300	53	2975	69
975	22	1650	38	2325	54	3000	70
1000	22	1675	38	2350	55	3025	71
1025	23	1700	39	2375	55	3050	71
1050	24	1725	40	2400	56	3075	72
1075	24	1750	40	2425	56	3100	72
1100	25	1775	41	2450	57	3125	73
1125	25	1800	41	2475	58	3150	74
1150	26	1825	42	2500	58	3175	74
1175	27	1850	43	2525	59	3200	75
1200	27	1875	43	2550	59		
1225	28	1900	44	2575	60		
1250	28	1925	44	2600	61		

NOTE ~

If the Drop fits in between two of these—always round UP to the next Slat number.

DOCUMENT	Timberstyle Venetian Blinds MS		Issue Date:	Apr 2022	Page No:	14 of 19	
DOC No:	MS T 3.12	Dept:	TIMBERS	Review Date:	May 2023	Issue No:	12

SLAT QUANTITY CHART ~ Timberstyle 63mm

Blind Drop	No. of Slats	Blind Drop	No. of Slats	Blind Drop	No. of Slats
200	2	1145	20	2135	38
210	3	1200	21	2190	39
265	4	1255	22	2245	40
320	5	1310	23	2300	41
375	6	1365	24	2355	42
430	7	1420	25	2410	43
485	8	1475	26	2465	44
540	9	1530	27	2520	45
595	10	1585	28	2575	46
650	11	1640	29	2630	47
705	12	1695	30	2685	48
760	13	1750	31	2740	49
815	14	1805	32	2795	50
870	15	1860	33	2850	51
925	16	1915	34	2905	52
980	17	1970	35	2960	53
1035	18	2025	36	3000	54
1090	19	2080	37		

NOTE ~

If the Drop fits in between two of these—always round UP to the next Slat number.

DOCUMENT	Timberstyle Venetian Blinds MS			Issue Date:	Apr 2022	Page No:	15 of 19
DOC No:	MS T 3.12	Dept:	TIMBERS	Review Date:	May 2023	Issue No:	12

Appendix 2 TIMBERSTYLE COLOUR MATCHING CHART

SIZE	COLOUR	SLAT	TEXTURE			H/RAIL	LADDER	CORD	TAPE LOCK BUTTON	BREAK APART TASSEL	ACORNS
			VALANCE	BOTTOM RAIL							
50mm	Warm White	Slat Smooth	Valance Smooth 83mm	Bottom Rail (smooth)	White	Cream	Cream	Clear	White Mist	White Mist	
50mm	Alpine White	Slat Smooth	Valance Smooth 83mm	Bottom Rail (smooth)	White	White	White	Clear	White Mist	White Mist	
50mm	Linen	Slat Smooth	Valance Smooth 83mm	Bottom Rail (smooth)	White	Cream	Cream	Clear	White Mist	White Mist	
50mm	Fog Grey	Slat Smooth	Valance Smooth 83mm	Bottom Rail (smooth)	White	Sterling	Grey	Clear	Grey	Grey	
50mm	Spotted Gum	Slat Smooth	Valance Smooth 83mm	Bottom Rail (smooth)	Tan	Tan	Tan	Clear	Golden Oak	Golden Oak	
50mm	Tallowwood	Slat Smooth	Valance Smooth 83mm	Bottom Rail (smooth)	Tan	Tan	Tan	Clear	Golden Oak	Golden Oak	
50mm	Karri	Slat Smooth	Valance Smooth 83mm	Bottom Rail (smooth)	Tan	Brown	Brown	Clear	Dark Brown	Dark Brown	
50mm	River Teak	Slat Textured	Valance Smooth 83mm	Bottom Rail (smooth)	Tan	Brown	Brown	Clear	Dark Brown	Dark Brown	
50mm	Ironbark	Slat Textured	Valance Smooth 83mm	Bottom Rail (smooth)	Tan	Brown	Brown	Clear	Cherry	Cherry	

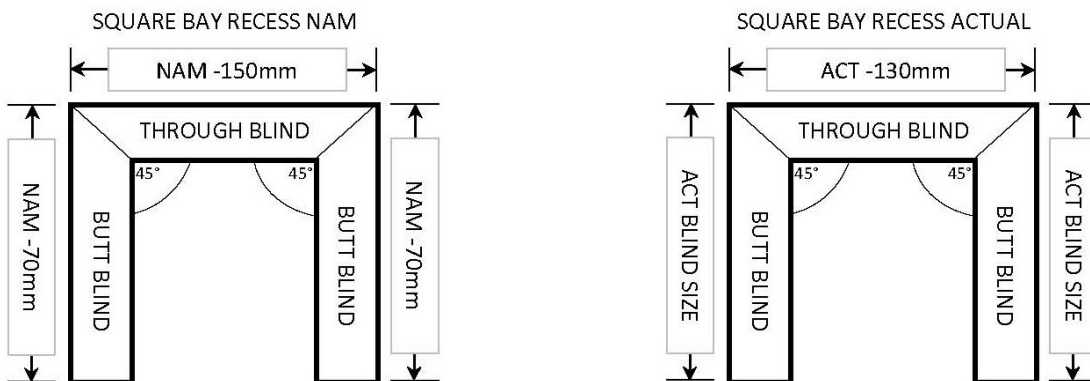
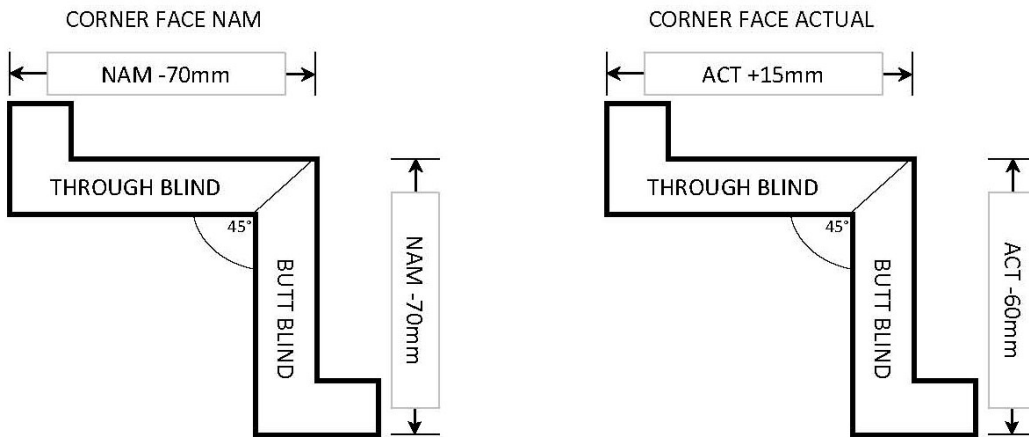
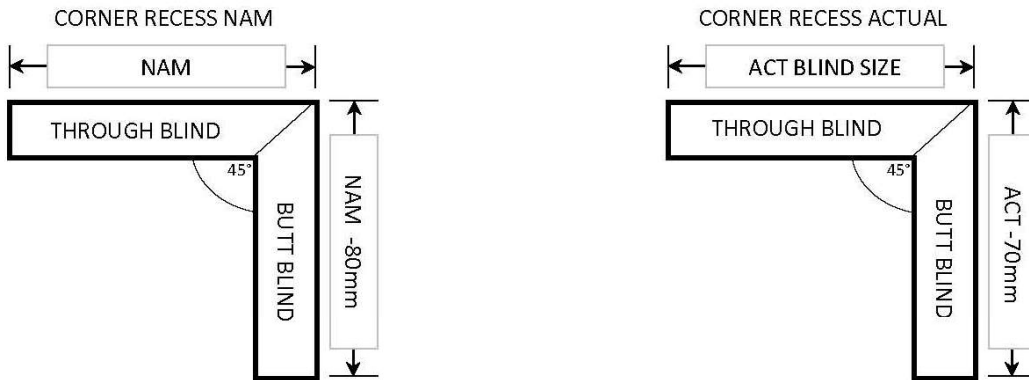
63mm	Warm White	Slat Smooth	Valance Smooth 83mm	Bottom Rail (smooth)	White	Cream	Cream	Clear	White Mist	White Mist
63mm	Alpine White	Slat Smooth	Valance Smooth 83mm	Bottom Rail (smooth)	White	White	White	Clear	White Mist	White Mist
63mm	Linen	Slat Smooth	Valance Smooth 83mm	Bottom Rail (smooth)	White	Cream	Cream	Clear	White Mist	White Mist
63mm	Spotted Gum	Slat Smooth	Valance Smooth 83mm	Bottom Rail (smooth)	Tan	Brown	Brown	Clear	Dark Brown	Dark Brown

DOCUMENT	Timberstyle Venetian Blinds MS	Issue Date:	Apr 2022	Page No:	16 of 19
DOC No:	MS T 3.12	Dept:	TIMBERS	Review Date:	May 2023
				Issue No:	12

Appendix 3

TIMBERSTYLE FASCIA CUTTING CHART FOR THROUGH & BUTT BLINDS

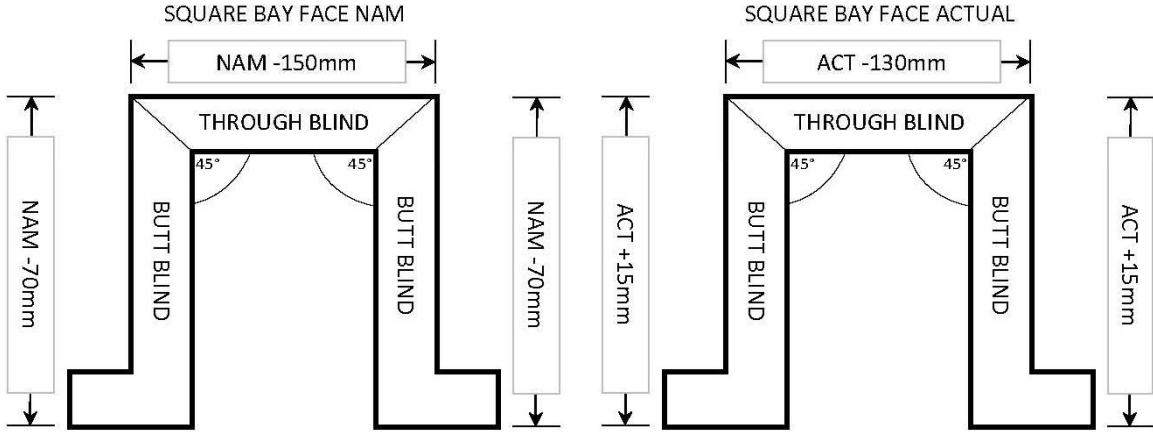
83mm Fascia Cutting Deductions



DOCUMENT	Timberstyle Venetian Blinds MS		Issue Date:	Apr 2022	Page No:	17 of 19	
DOC No:	MS T 3.12	Dept:	TIMBERS	Review Date:	May 2023	Issue No:	12

TIMBERSTYLE FASCIA CUTTING CHART FOR THROUGH & BUTT BLINDS

83mm Fascia Cutting Deductions



DOCUMENT	Timberstyle Venetian Blinds MS		Issue Date:	Apr 2022	Page No:	18 of 19	
DOC No:	MS T 3.12	Dept:	TIMBERS	Review Date:	May 2023	Issue No:	12

TIMBERSTYLE FASCIA CUTTING CHART FOR BAY WINDOWS

83mm Fascia Cutting Deductions

